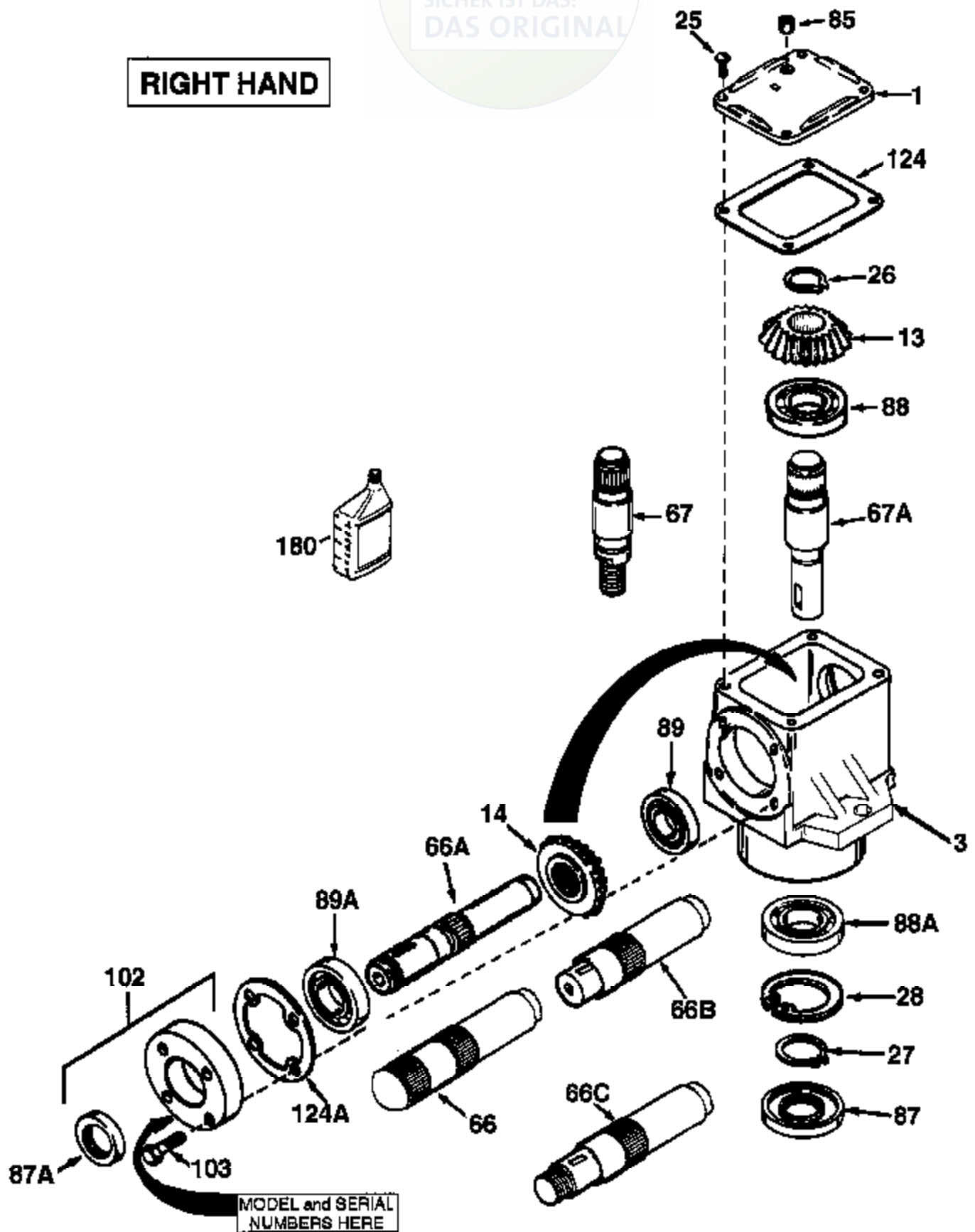
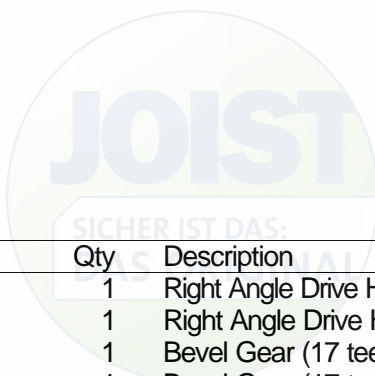


# JOIST

SICHER IST DAS:  
DAS ORIGINAL

**RIGHT HAND**





| Ref # | Part Number | Qty           | Description                           |
|-------|-------------|---------------|---------------------------------------|
| 1     | 772067      | 1             | Right Angle Drive Head Cover          |
| 3     | 770124      | 1             | Right Angle Drive Housing             |
| 13    | 778101A     | 1             | Bevel Gear (17 teeth-steel)           |
| 14    | 778101A     | 1             | Bevel Gear (17 teeth-steel)           |
| 25    | 792025      | 4             | Screw 10-24 x 1/2"                    |
| 26    | 788018      | 1             | Retaining Ring                        |
| 27    | 788079      | 1             | Retaining Ring                        |
| 66A   | 776437      | 1             | Input Shaft                           |
| 67    | 776429      | 1             | Output Shaft                          |
| 85    | 792039      | 1             | Pipe Plug 1/8-27                      |
| 87    | 788082      | 1             | Oil Seal                              |
| 87A   | 788031      | 1             | Oil Seal 7/8"                         |
| 88A   | 780177      | 1000-1000-082 | Ball Bearing (.9838)                  |
| 88    | 780174      | Peerless      | Ball Bearing (.9838)                  |
| 89    | 780024      | 1             | Ball Bearing (.7495)                  |
| 89A   | 780034      | 1             | Ball Bearing (.8745)                  |
| 102   | 786029      | 1             | Retainer Cap & Seal (Incl. 87A & 103) |
| 103   | 792026      | 4             | Bolt 1/4-20 x 7/8"                    |
| 124A  | 788030B     | 1             | Retainer Gasket                       |
| 124   | 788028      | 1             | Gasket                                |
| 180   | 730229A     | 1             | Gear Oil 80W90                        |